

VMP.30 MAXIMUM PRESSURE / PILOTED VALVES IN LINE MOUNTING



VMP.30...

CMP.30...

CH. V PAGE 21

The maximum pressure valves VMP30... are piloted action units. Their use is essential for the limitation of hydraulic system pressure. In order to achieve a more convenient calibration adjustment the whole pressure range (7÷350 bar) has been subdivided into 3 smaller bands, as shown in the ordering part number table. For each pressure band a different calibration spring is used, selected for the corresponding minimum operating pressure. The CMP30 cartridge is a piloted action unit.

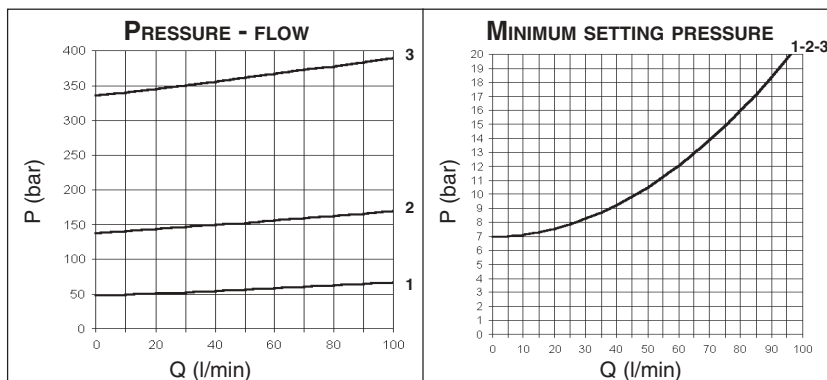
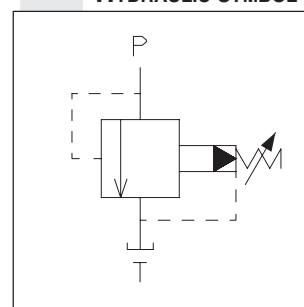
These piloted action valves offer an important safety feature for the systems in which they are used: a mechanical end of stroke stop prevents the user from setting pressure values higher than those specified in the catalogue (it is impossible to compress the spring completely).

Max. operating pressure	350 bar	
Setting ranges:	Spring 1	max. 50 bar
	Spring 2	max. 140 bar
	Spring 3	max. 350 bar
Max. flow	100 l/min	
Hydraulic fluids	Mineral oils DIN 51524	
Fluid viscosity	10 ÷ 500 mm ² /s	
Fluid temperature	-25°C ÷ 75°C	
Ambient temperature	-25°C ÷ 60°C	
Max. contamination level	class 10 in accordance with NAS 1638 with filter $\beta_{25} \geq 75$	
Weight	1,4 Kg	
• The minimum permissible setting pressure is the same for all springs: see curve below		

ORDERING CODE

- VMP** Max. pressure valve
- 30** Connector size: 3/4" BSP
- *** Type of adjustment
M = Steel knob
C = Grub screw
V = Handwheel
- *** Setting ranges
1 = max. 50 bar (**white spring**)
2 = max. 140 bar (**yellow spring**)
3 = max. 350 bar (**green spring**)
- **** **00** = No variant
V1 = Viton
- 2** Serial No.

HYDRAULIC SYMBOL



OVERALL DIMENSIONS

