



"D15" DC COILS FOR CETOP 3



Type of protection (in relation to the connector used)	IP 66
Number of cycles	18.000/h
Supply tolerance	±10%
Ambient temperature	-54°C ÷ 60°C
Duty cycle	100% ED
Insulation class	H
Weight	0,354 Kg

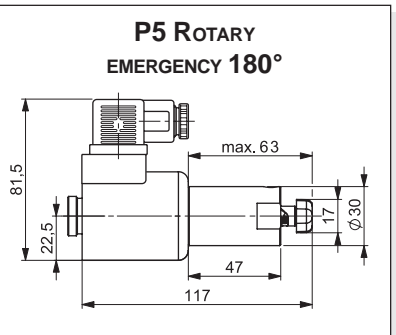
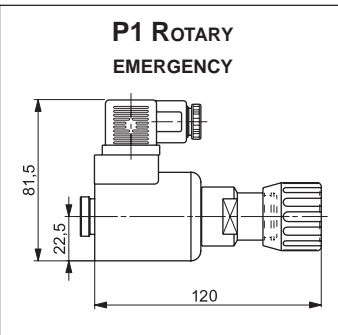
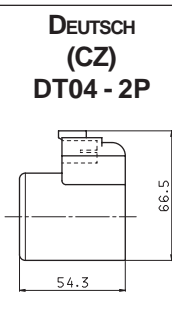
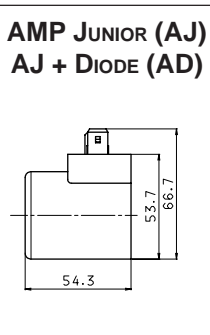
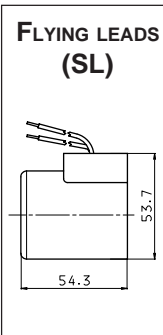
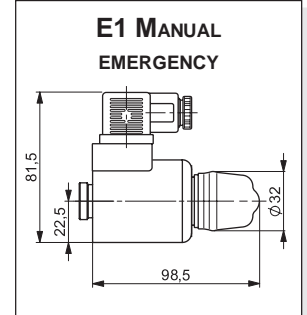
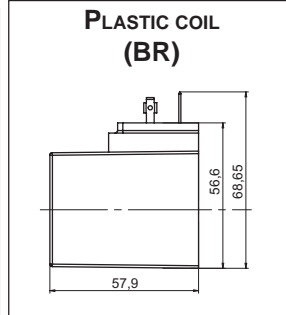
•AMP Junior coils (with or without diode) and coils with flying leads and coils type Deutsch, are available in 12V or 24V DC voltage only.

•The pastic type coil (BR variant) is available in 12V, 24V, 28V or 110V DC voltage only.

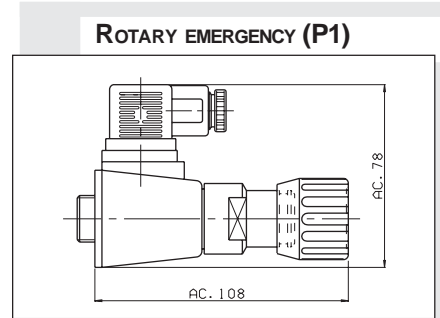
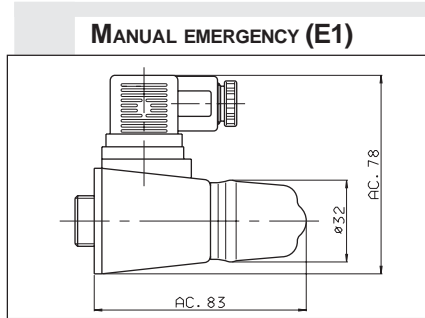
VOLTAGE (V)	MAX. WINDING TEMPERATURE (AMBIENT TEMPERATURE 25°C)	RATED POWER (W)	RESISTANCE AT 20°C (OHM) ±10%
12V	110°C	30	4.8
24V	110°C	30	18.8
28V*	110°C	30	25.6
48V*	110°C	30	75.2
102V*	110°C	30	340
110V*	110°C	30	387
205V*	110°C	30	1375

(*) SPECIAL VOLTAGES

ETD15 - 04/2001/e



"K12" AC SOLENOIDS FOR CETOP 3



Type of protection (in relation to the connector used)	IP 66
Number of cycles	18.000/h
Supply tolerance	+10% / -10%
Ambient temperature	-54°C ÷ 60°C
Duty cycle	100% ED
Max. static pressure	210 bar
Insulation class	H
Weight	0,4 Kg

VOLTAGE (V)	MAX. WINDING TEMPERATURE (AMBIENT TEMPERATURE 25°C)	RATED POWER (VA)	IN RUSH CURRENT (VA)	RESISTANCE AT 20°C (OHM) ±10%
24V/50Hz	100°C	57	230	1.96
24V/60Hz*	125°C	63	252	1.43
48V/50Hz*	140°C	66	205	6.85
115V/50Hz - 120V/60Hz	125°C - 105°C	52 - 47	230 - 222	49
230V/50Hz - 240V/60Hz	125°C - 105°C	55 - 48	241 - 221	186
240V/50Hz*	137°C	79	204	145

* SPECIAL VOLTAGES

ETK12 - 02/2000/e